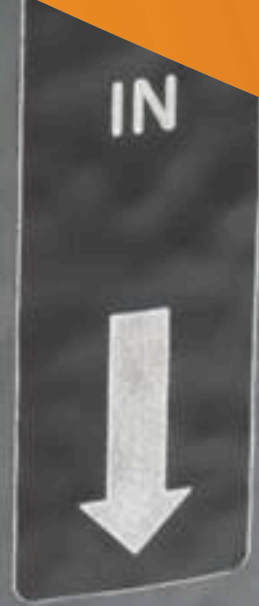
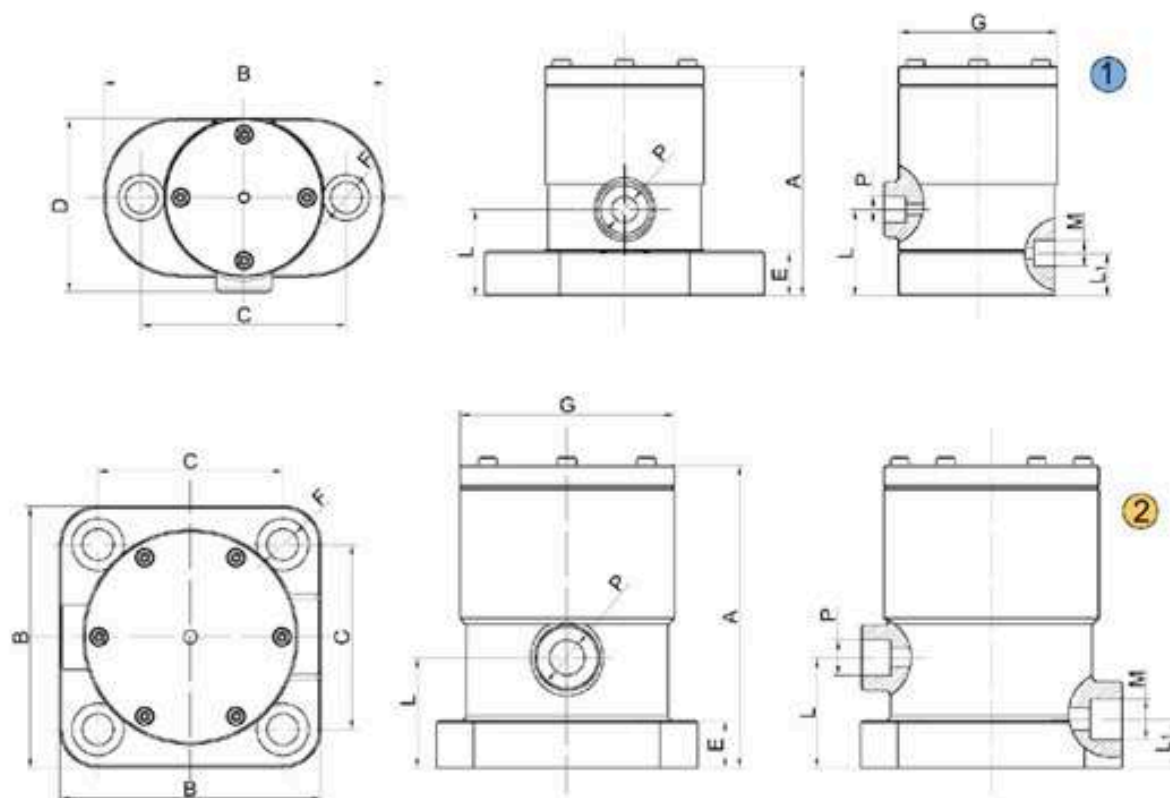




VRP – Sürekli Etkili Pnömatik  
Çekiç  
VRP – Continuous Impact  
Pneumatic Linear Vibrators



| TYPE   | DRAW. | OVERALL DIMENSION |       |         |     |     |     |     |     |    |     |    |     |     |     |      |    |     |    |     |      |     |        |    |
|--------|-------|-------------------|-------|---------|-----|-----|-----|-----|-----|----|-----|----|-----|-----|-----|------|----|-----|----|-----|------|-----|--------|----|
|        |       | A                 |       | B       |     | C   |     | D   |     | E  |     | F  |     | G   |     | P    | L  |     | L1 |     | M    |     | Weight |    |
|        |       | mm                | in    | mm      | in  | mm  | in  | mm  | in  | mm | in  | mm | in  | mm  | in  |      | mm | in  | mm | in  | mm   | in  | Kg     | Lb |
| VRP 30 | 1     | 92                | 3,62  | 115     | 4,5 | 85  | 3,3 | 72  | 2,8 | 21 | 0,8 | 13 | 0,5 | 62  | 2,4 | 1/4" | 30 | 1,2 | 11 | 0,4 | 1/4" | 2,2 | 4,85   |    |
| VRP 50 | 1     | 123               | 4,843 | 150     | 5,9 | 110 | 4,3 | 93  | 3,7 | 24 | 0,9 | 17 | 0,7 | 82  | 3,2 | 3/8" | 46 | 1,8 | 23 | 0,9 | 3/8" | 5   | 11,02  |    |
| VRP 70 | 2     | 162               | 6,378 | 140x140 | 5,5 | 99  | 3,9 | 140 | 5,5 | 25 | 1,0 | 17 | 0,7 | 115 | 4,5 | 1/2" | 59 | 2,3 | 26 | 1,0 | 1/2" | 11  | 24,25  |    |



| Type   | Features       |       |       |                |       |              |      |                |       |       |                |       |              |      |                |       |       |                |       |              |      |
|--------|----------------|-------|-------|----------------|-------|--------------|------|----------------|-------|-------|----------------|-------|--------------|------|----------------|-------|-------|----------------|-------|--------------|------|
|        | 2 BAR - 29 PSI |       |       |                |       |              |      | 4 BAR - 58 PSI |       |       |                |       |              |      | 6 BAR - 87 PSI |       |       |                |       |              |      |
|        | Vibration      | Force |       | Dynamic Moment |       | Air Consump. |      | Vibration      | Force |       | Dynamic Moment |       | Air Consump. |      | Vibration      | Force |       | Dynamic Moment |       | Air Consump. |      |
|        | V/min          | N     | lb    | Kg*cm          | in*lb | L/min        | Cfm  | V/min          | N     | lb    | Kg*cm          | in*lb | L/min        | Cfm  | V/min          | N     | lb    | Kg*cm          | in*lb | L/min        | Cfm  |
| VRP 30 | 1950           | 352   | 79,1  | 0,84           | 0,72  | 45           | 1,59 | 3360           | 743   | 167,0 | 0,84           | 0,72  | 110          | 3,88 | 4100           | 1020  | 229,2 | 0,84           | 0,72  | 200          | 7,1  |
| VRP 50 | 1480           | 573   | 128,8 | 2,05           | 1,76  | 70           | 2,47 | 1930           | 1024  | 230,1 | 2,05           | 1,76  | 140          | 4,94 | 2500           | 1685  | 378,7 | 2,05           | 1,76  | 320          | 11,3 |
| VRP 70 | 1100           | 1425  | 320,2 | 4,44           | 3,82  | 90           | 3,18 | 1480           | 2460  | 552,8 | 4,44           | 3,82  | 240          | 8,47 | 1700           | 3570  | 802,3 | 4,44           | 3,82  | 420          | 14,8 |